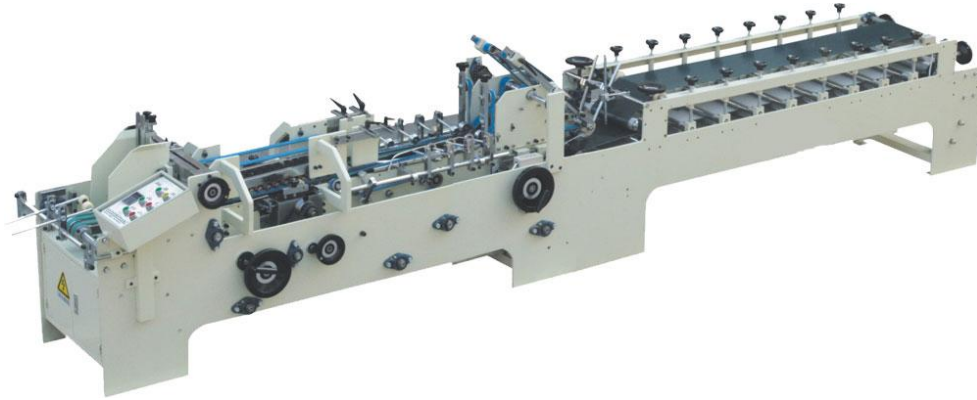


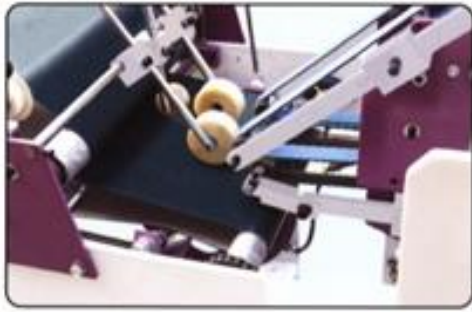


## Folding and Gluing Machine (ZH-550C type)



### Characteristics

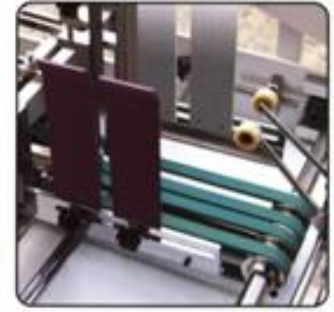
It is suitable for the common two- fold products and to model the small pasting box such as a large quantity of medicine boxes and makeup boxes and boxes of the light industry products. The inputting paper department is single controlled by electric engines to adjust the speed of the giving paper department and suitable to model different boxes.



压著部  
Pressing department



折叠部  
Folding department



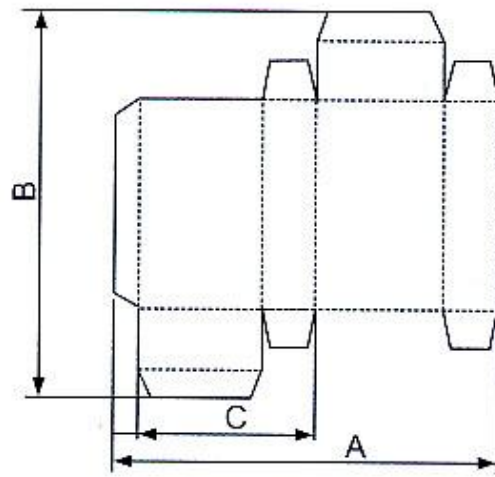
给纸部  
Giving paper department

主要技术参数 Main technical parameters	最大纸张 Max. Paper mm A	最小纸张 Min. Paper mm A	最大成品 Max. Finished product mm c	最小成品 Min. Finished product mm C	最长 The shortest mm B	最短 The shortest mm B	电机功率 Motor power Kw 220V	机器长度 Dimensions of machine	每分钟 minute m
产品型号名称 Model and description									
ZH550C	300	80	140	35	290	80	0.75 1.5	600	0-220

# Moonlight Traders Hk Limited

Email: [contact@moonlight123.com](mailto:contact@moonlight123.com) Tel: +86 20 81357755 Fax: +86 20 81196421 URL: [www.moonlight123.com](http://www.moonlight123.com)

10<sup>th</sup> Floor Rm # 1006 Fuli Business Building 23, Zhong Shan 8 Road Guangzhou China . 510175. 广州市荔湾区中山八路 23 号富力商贸大厦 1006 室. 邮编: 510175



基本制盒规格 Specifications

# Moonlight Traders Hk Limited

Email: [contact@moonlight123.com](mailto:contact@moonlight123.com) Tel: +86 20 81357755 Fax: +86 20 81196421 URL: [www.moonlight123.com](http://www.moonlight123.com)

10<sup>th</sup> Floor Rm # 1006 Fuli Business Building 23, Zhong Shan 8 Road Guangzhou China . 510175. 广州市荔湾区中山八路 23 号富力商贸大厦 1006 室. 邮编: 510175